

# Technical data sheet

## Product features



### Electric range with static oven

Model

SAP Code

00008524



- Device type: Electric unit
- Power consumption of the zone 1 [kW]: 2,5
- Power consumption of the zone 2 [kW]: 2,5
- Power consumption of the zone 3 [kW]: 2,5
- Power consumption of the zone 4 [kW]: 2,5
- Type of internal part of the appliance 1 (eg oven): Electric
- Type of internal part of the appliance 2 (eg oven): Static
- Protection of controls: IP24
- Material: AISI 304 top plate and cladding

SAP Code	00008524	Number of zones	4
Net Width [mm]	800	Power consumption of the zone 1 [kW]	2,5
Net Depth [mm]	730	Power consumption of the zone 2 [kW]	2,5
Net Height [mm]	900	Power consumption of the zone 3 [kW]	2,5
Net Weight [kg]	122.90	Power consumption of the zone 4 [kW]	2,5
Power electric [kW]	16.300	Type of internal part of the appliance 1 (eg oven)	Electric
Loading	400 V / 3N - 50 Hz	Type of internal part of the appliance 2 (eg oven)	Static

# Technical data sheet

Technical drawing

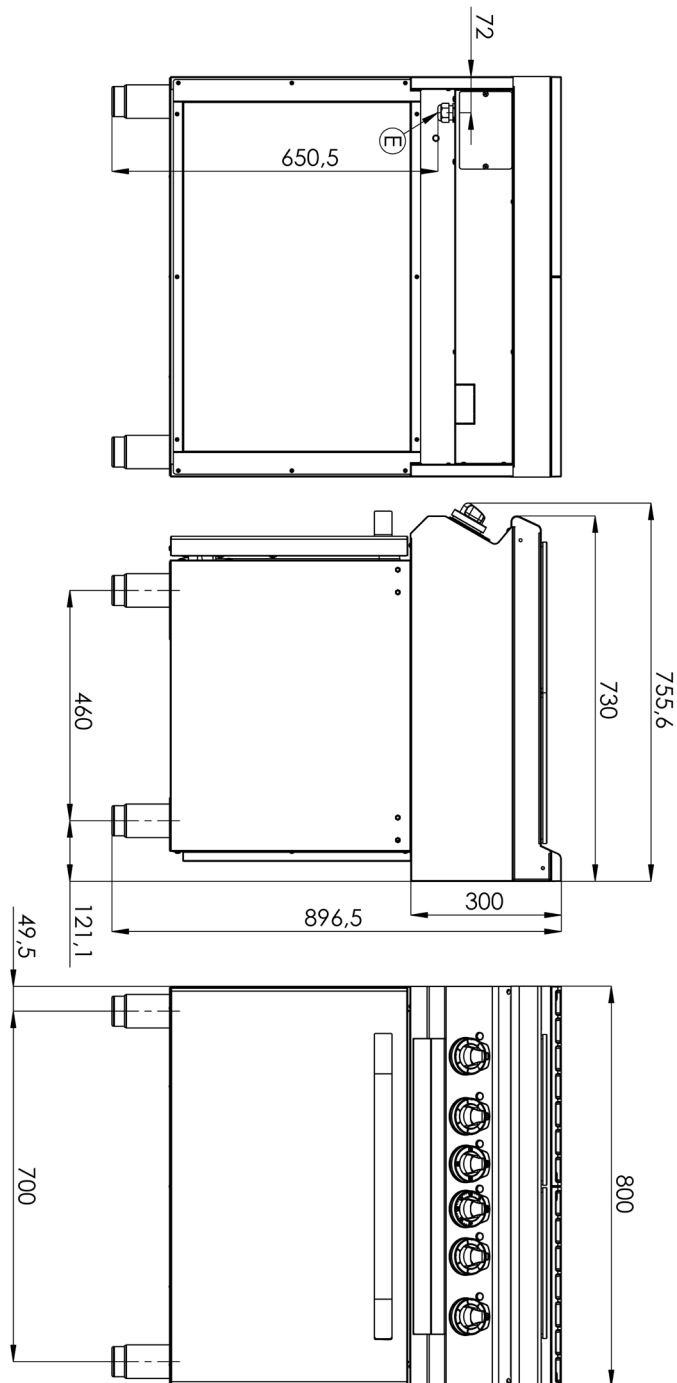


Electric range with static oven

Model

SAP Code

00008524



# Technical data sheet

## Product benefits



### Electric range with static oven

Model

SAP Code

00008524

1

#### Square

heat

Effective cooking on a large neighborhood

- saving time when preparing meals
- Easy to operate thanks to a large area

2

#### Internal thermostatic protection of the hob

a longer life of the hob

3

#### Degree of protection of controls IPX4

maintenance -free

water resistance

long life

- Savings on service interventions
- easy cleaning of the device

4

#### Nationheres

long life

Cut -made steel of 10 mm thick boards

- Savings on service interventions
- higher corrosion resistance

5

#### Hygienic embossments of the top plate

absence of sharp corners and edges (potential places where dirt could adhere)

smooth transitions

- Simple fast cleaning

6

#### Large El.Troubta with four positions for grates with static baking

static baking

high capacity and variability

nationheres

- Suitable for yeast dishes and desserts
- long life
- simple cleaning

# Technical data sheet

Technical parameters



## Electric range with static oven

**Model**

**SAP Code**

00008524

**1. SAP Code:**

00008524

**2. Net Width [mm]:**

800

**3. Net Depth [mm]:**

730

**4. Net Height [mm]:**

900

**5. Net Weight [kg]:**

122.90

**6. Gross Width [mm]:**

840

**7. Gross depth [mm]:**

800

**8. Gross Height [mm]:**

1080

**9. Gross Weight [kg]:**

132.00

**10. Device type:**

Electric unit

**11. Construction type of device:**

Stationary

**12. Power electric [kW]:**

16.300

**13. Loading:**

400 V / 3N - 50 Hz

**14. Protection of controls:**

IP24

**15. Exterior color of the device:**

Stainless steel

**16. Material:**

AISI 304 top plate and cladding

**17. Indicators:**

operation

**18. Worktop type:**

Molded - comfortable cleaning maintenance

**19. Worktop material:**

AISI 304

**20. Worktop Thickness [mm]:**

1.50

**21. Number of zones:**

4

**22. Power consumption of the zone 1 [kW]:**

2,5

**23. Power consumption of the zone 2 [kW]:**

2,5

**24. Power consumption of the zone 3 [kW]:**

2,5

**25. Power consumption of the zone 4 [kW]:**

2,5

**26. Maximum device temperature [°C]:**

400

**27. Minimum device temperature [°C]:**

50

**28. Number of power control stages:**

6

# Technical data sheet

Technical parameters



## Electric range with static oven

**Model**

**SAP Code**

00008524

**29. Service accessibility:**

Trough the frontal panel

**30. Adjustable feet:**

Yes

**31. Number of burners/hot plates:**

4

**32. Type of electric cooking zones:**

Squared

**33. Oven Type:**

electrical static

**34. Oven power electric [kW]:**

6.30

**35. Oven size:**

GN 2/1

**36. Type of internal part of the appliance 1 (eg oven):**

Electric

**37. Type of internal part of the appliance 2 (eg oven):**

Static

**38. Gasket:**

Yes

**39. Maximum temperature of the inner chamber [°C]:**

300

**40. Minimum temperature of the inner chamber [°C]:**

50

**41. Cross-section of conductors CU [mm<sup>2</sup>]:**

5

– Výkon (kW): 37 a více (230 V); 64 a více (400 V)